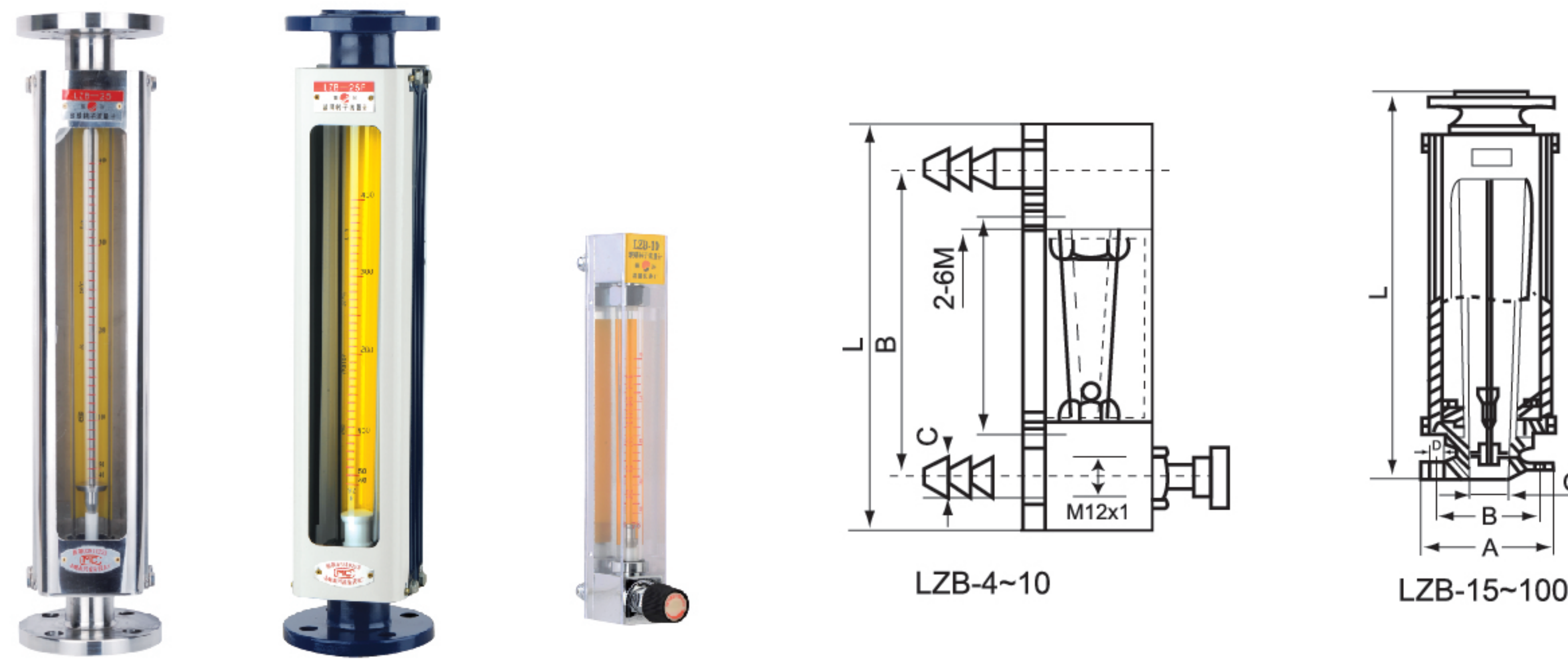


The Series LZB Glass Rotameter

Widely used in chemical industry, petroleum, light industry, food, dyes, environmental protection



The Series LZB Glass Rotameter is a variable area flowmeter. Its measuring tube is made of transparent glass. When fluid flows through the tube, the float suspends under the action of hydrodynamic force and its own gravity. The greater the fluid flow rate, the higher the float rises. The flow value can be directly read from the float's position. With excellent chemical compatibility, it becomes a preferred tool for laboratory, food & pharmaceutical, and small-to-medium flow measurement applications. Its lightweight design and easy-to-observe features make it particularly advantageous in scenarios requiring visual operation.

FEATURES

- Optional corrosion-resistant type
- The float rotates only with the fluid flow, featuring no mechanical wear, low maintenance costs, and a long service life. Lightweight and cost-effective
- Provides an economical solution for flow measurement
- Vertical installation without straight pipe sections
- Allows direct observation of fluid status and float position for easy reading

APPLICATIONS

- Pharmaceutical Industry
- Semiconductor Industry
- Food and Beverage Industry
- Urban Water Supply and Drainage
- Environmental Protection
- New Energy Industry
- Scientific research institution

SPECIFICATIONS

Service	Compatible liquids or gases
Material	The body material is glass with metal housing
Accuracy	See the technical specification
Temperature Rating	0°C to 60°C
Pressure Rating	See the technical specification
Connection	DN4-10: hose connection, DN15-100: flange connection

MODEL CHART

Example	LZB	-4	-1L/h-10L/h	-L	
Series	The Series LZB				Glass Rotameter
Model		4			Please refer to the technical specification, outline dimension
		6			Please refer to the technical specification, outline dimension
		10			Please refer to the technical specification, outline dimension
		15			Please refer to the technical specification, outline dimension
		15F			Please refer to the technical specification, outline dimension; corrosion-resistant type
		25			Please refer to the technical specification, outline dimension
		25F			Please refer to the technical specification, outline dimension; corrosion-resistant type
		40			Please refer to the technical specification, outline dimension
		40F			Please refer to the technical specification, outline dimension; corrosion-resistant type
		50			Please refer to the technical specification, outline dimension
		50F			Please refer to the technical specification, outline dimension; corrosion-resistant type
Flow Range			XXXXXXX		Select the range in the technical specification table, e.g., "1L/h-10L/h"
	Medium			A	Gas
				L	Liquid

Specifications

Pipe Size DN(mm)	Model	Measurement Range		Cone Tube Length	Overall Length (mm)	Accuracy		Working Pressure (MPa)
		Liquid	Gas			LZB	LZB-F	
ø 4	LZB-4	1~10L/h 1.6~16L/h 2.5~25L/h	16~160L/h 25~250L/h 40~400L/h	160	238	4	2.5	≤ 1.0
ø 6	LZB-6	2.5~25L/h 4~40L/h 6~60L/h	40~400L/h 60~600L/h 100~1000L/h					
ø 10	LZB-10	6~60L/h 10~100L/h 16~160L/h	100~1000L/h 160~1600L/h 250~2500L/h					
ø 15	LZB-15 LZB-15F	16~160L/h 25~250L/h 40~400L/h	0.25~2.5m³/h 0.4~4m³/h 0.6~6m³/h	350	470	2.5	4	≤ 0.6
	ø 25	LZB-25 LZB-25F	40~400L/h 60~600L/h 100~1000L/h					
ø 40	LZB-40 LZB-40F	160~1600L/h 250~2500L/h	4~40m³/h 6~60m³/h	430	570	2.5	2.5	≤ 0.6
ø 50	LZB-50 LZB-50F	0.4~4m³/h 0.6~6m³/h *1~10m³/h *5~16m³/h	10~100m³/h 16~160m³/h	450				
ø 80	LZB-80 LZB-80F	1~10m³/h 1.6~16m³/h	50~250m³/h 80~400m³/h	500	660	2.5	2.5	≤ 0.4
ø 100	LZB-100 LZB-100F	5~25m³/h 8~40m³/h	120~600m³/h 200~1000m³/h					

*LZB-50F is not applicable to this flow rate.

Overall Dimensions

Model	A	B	L	C	D
LZB-4	170	208	238	ø 10	40 x 35
LZB-6	170	208	238	ø 10	40 x 35
LZB-10	170	208	238	ø 12	40 x 35
LZB-15	ø 95	ø 65	ø 470	ø 15	4 - ø 14
LZB-25	ø 115	ø 85	ø 470	ø 25	4 - ø 14
LZB-40	ø 145	ø 110	ø 570	ø 40	4 - ø 18
LZB-50	ø 160	ø 125	ø 570	ø 50	4 - ø 18
LZB-80	ø 185	ø 150	ø 660	ø 80	4 - ø 18
LZB-100	ø 205	ø 170	ø 660	ø 100	4 - ø 18